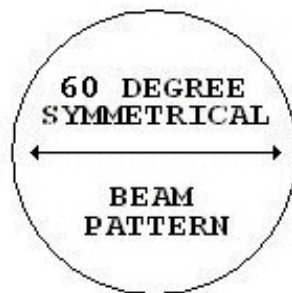
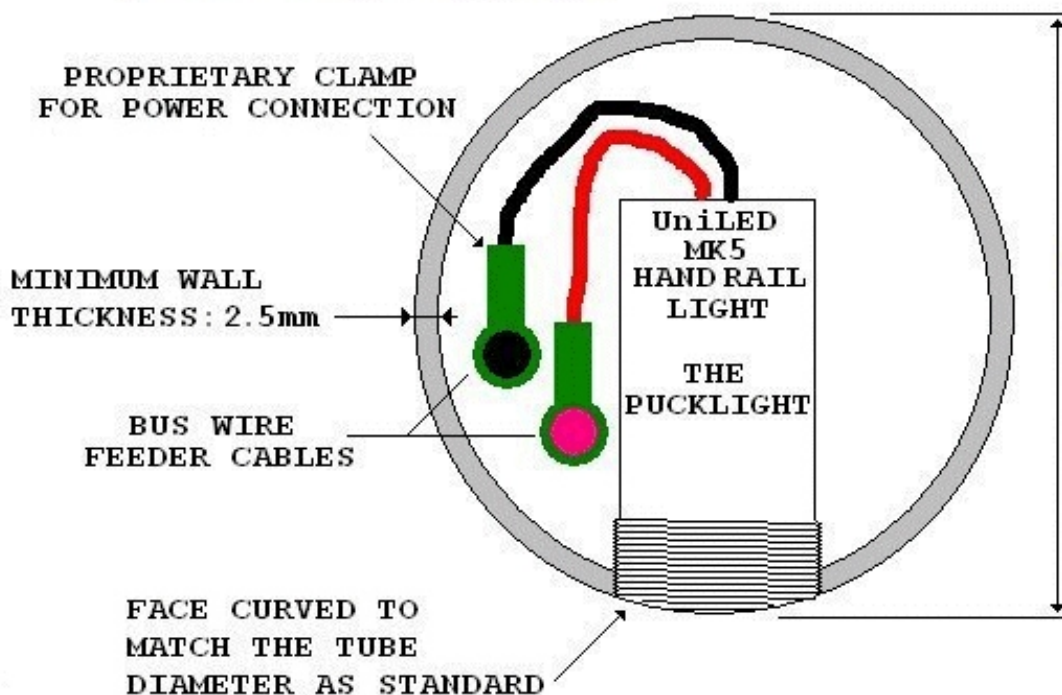


**SPECIAL INSERTION TOOL  
GUARANTEES A TAMPERPROOF FIT**

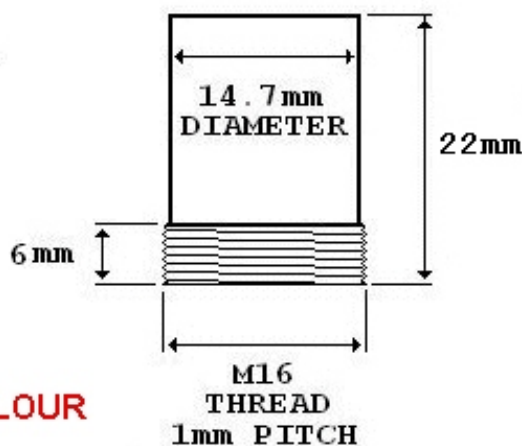
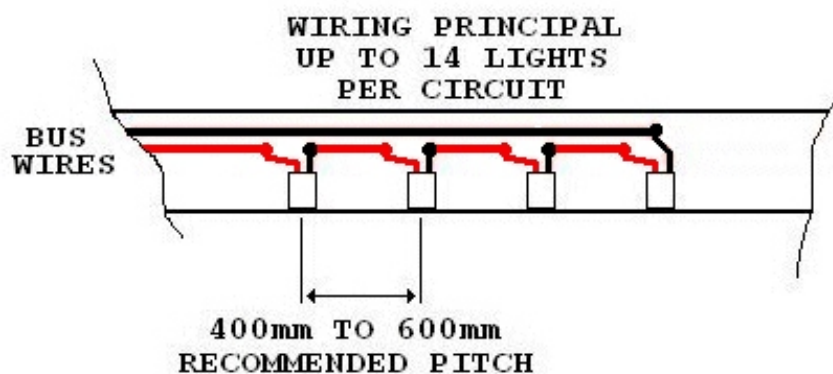


190 LUX  
CENTRE BEAM  
AT 1M



**5 YEAR  
GUARANTEE  
IP67  
EASY TO FIT  
NO HEAT NO UV  
NO SHOCK HAZARD**

CAN ACCOMODATE ANY DIAMETER TUBE FROM 40mm UPWARDS WITH A 2.3mm WALL OR BETTER

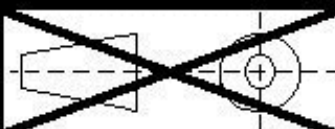


**NB. THIS LIGHT CAN BE RUN AT  
DIFFERENT WATTAGES AND WITH DIFFERENT COLOUR  
TEMPERATURES IF REQUIRED.**

**UniLED MK5 PUCKLIGHT  
HANDRAIL LIGHT**

DATE: MAR 2013

DRWG No: N/A



SCALE:  
N/A

AUTHOR:  
JD

P.L.M ILLUMINATION

UNIT 6, ARTHUR DRIVE  
HOO FARM INDUSTRIAL ESTATE  
KIDDERMINSTER, DY11 7RA

TEL. 01562 66441 - FAX 01562 829992

All drawings are protected by copyright and  
may not be reproduced without written authority