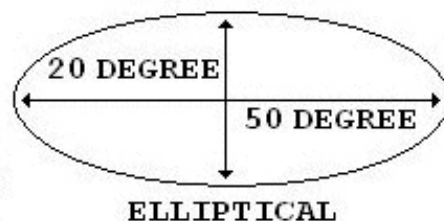
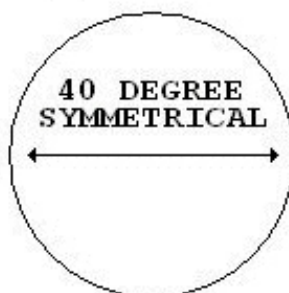


**SPECIAL INSERTION TOOL
GUARANTEES A TAMPERPROOF FIT**

BEAM PATTERN OPTIONS

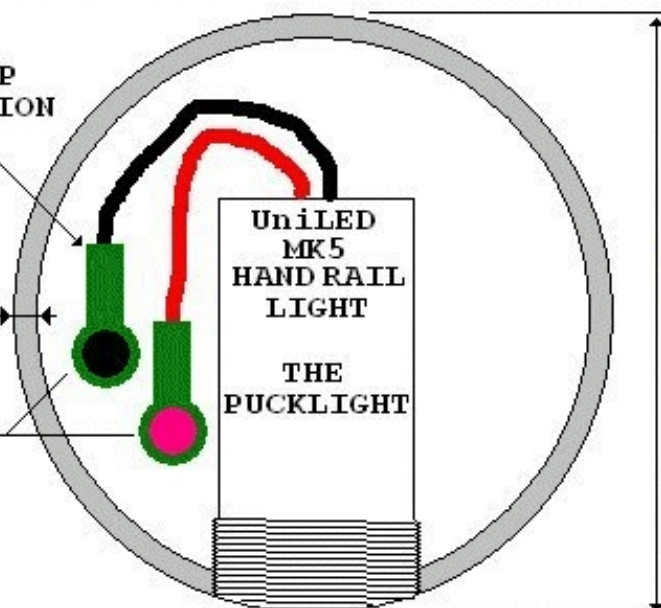


**450 LUX CENTRE
BEAM AT 1M
5 YEAR
GUARANTEE
IP66
EASY TO FIT
NO HEAT NO UV
NO SHOCK HAZARD**

PROPRIETARY CLAMP
FOR POWER CONNECTION

MINIMUM WALL
THICKNESS: 2.5mm

BUS WIRE
FEEDER CABLES

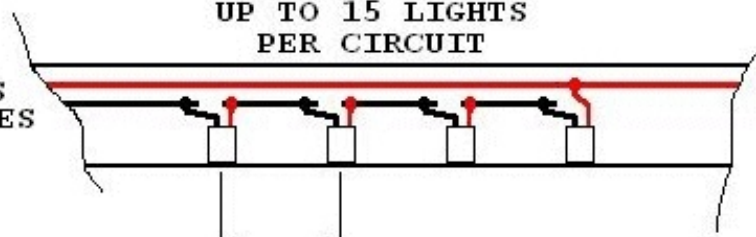


CAN
ACCOMMODATE
ANY DIAMETER
TUBE FROM
40mm UPWARDS

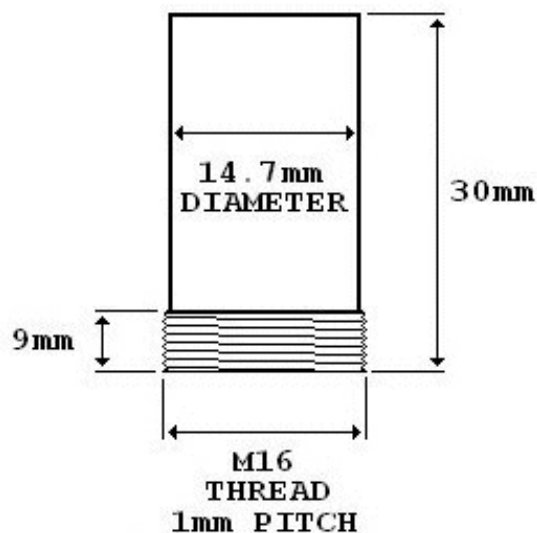
FACE CURVED TO
MATCH THE TUBE
DIAMETER AS STANDARD

WIRING PRINCIPAL
UP TO 15 LIGHTS
PER CIRCUIT

BUS
WIRES



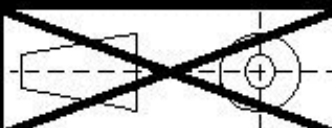
400mm TO 600mm
RECOMMENDED PITCH



**UniLED MK5 PUCKLIGHT
HANDRAIL LIGHT**

DATE: 13 SEP 2011

DRWG No: N/A



SCALE:
N/A

AUTHOR:
JD

P.L.M ILLUMINATION

UNIT 6, ARTHUR DRIVE
HOO FARM INDUSTRIAL ESTATE
KIDDERMINSTER, DY11 7RA

TEL. 01562 66441 - FAX 01562 829992

All drawings are protected by copyright and
may not be reproduced without written authority