

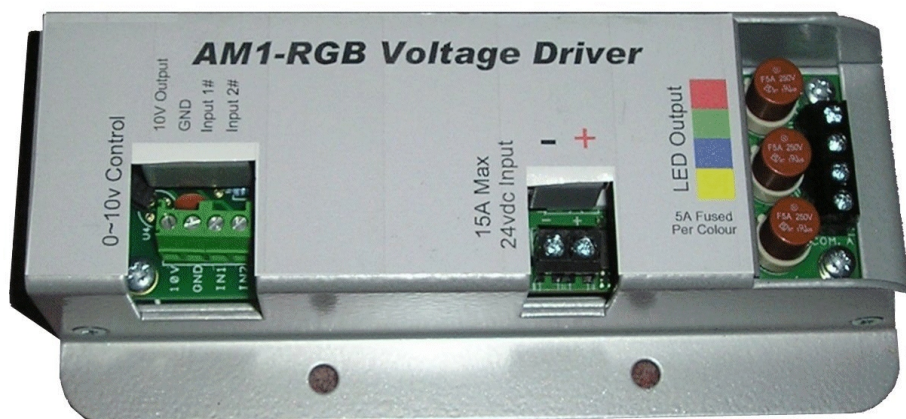
UniLED AM1 - RGB INTERFACE FOR STANDARD DIMMER CONTROLS

INTRODUCING PLM'S UNIQUE RGB INTERFACE ACCESSORY WHICH PROVIDES FULL RGB COLOUR CHANGE OR STATIC COLOUR SELECTION USING SIMPLE 0-10 DIMMER CHANNELS.

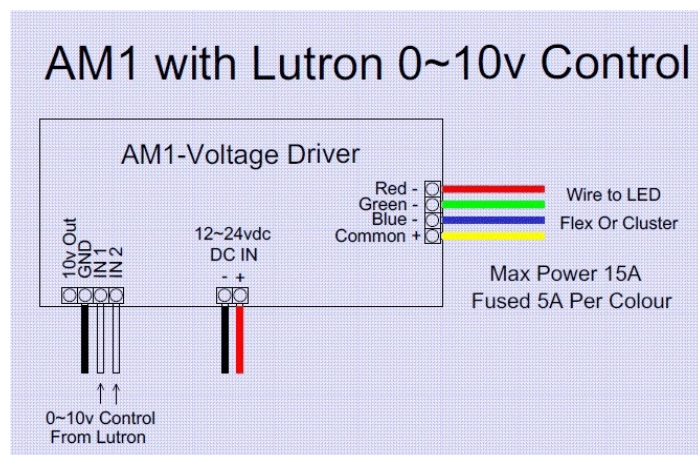
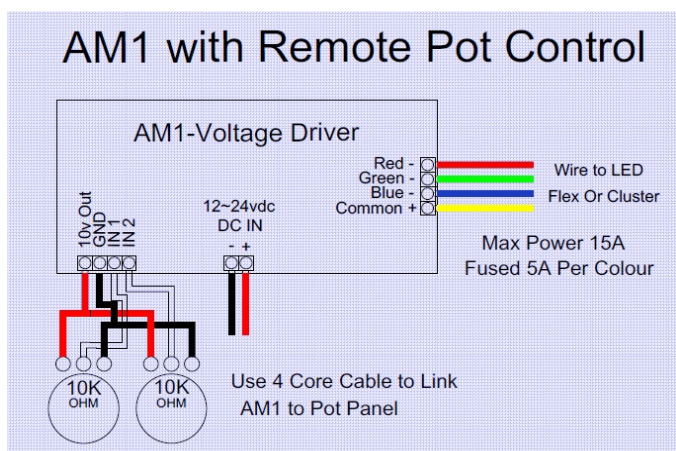
A SIMPLE AND COST EFFECTIVE ALTERNATIVE TO DMX

The AM1 is available for use with Constant Voltage (pictured) and Constant Current RGB LED lights.

It sits between the Power Supply and the lighting, and is controlled by two 0-10 V inputs.



The 0-10 V inputs can be provided by two simple dimmer switches, or alternatively two 0-10 V channels from a lighting management system of the kind supplied by companies like Lutron, or Home Automation. (Example Wiring for Constant Voltage LEDs featured below).



Input Channel 1 allows the user to select 1 of 3 pre-programmed colour change sequences, and then change to a static colour option. Input Channel 2 allows the user to vary the speed of the colour change sequences, and when static colour mode is selected Input Channel 2 allows the user to dial up a colour. It is just a matter of rotating the dimmer switches, or varying the 0-10 V inputs from the lighting management system. (1/4 turn per step, or 2.5 Volts per step.)

The UniLED AM1 RGB Controller offers a simple, elegant, inexpensive, and versatile solution for RGB colour change control of any RGB LED lighting product up to 5 Amps per channel. (Higher amperages available on request.)

For more information contact:
PLM Illumination Limited, Unit 6
Arthur Drive, Hoo Farm Industrial Estate
Kidderminster, DY11 7RA



www.plmgroup.co.uk
TEL. 01562 66441
FAX.01562 829992
Info@plmgroup.co.uk